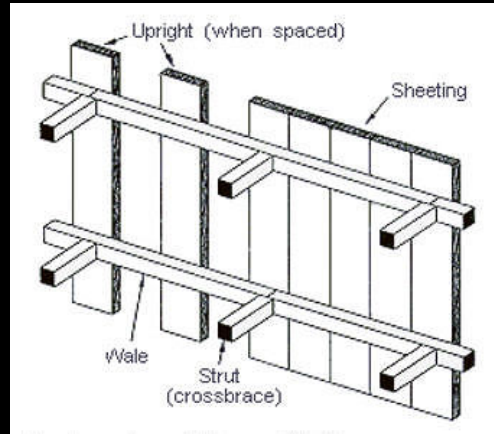


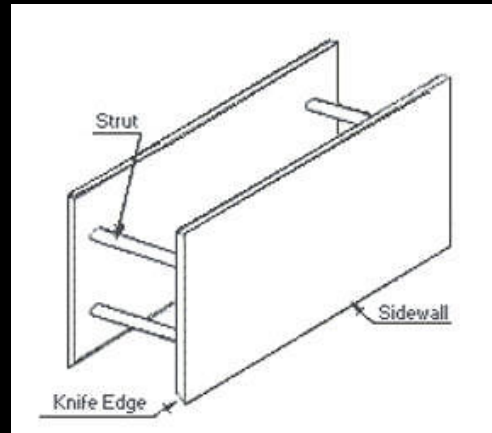
# Courthouse Curiosities

## True Tales from Texas

# Two Tragic Trench Collapses

Claims: \$33M (each)





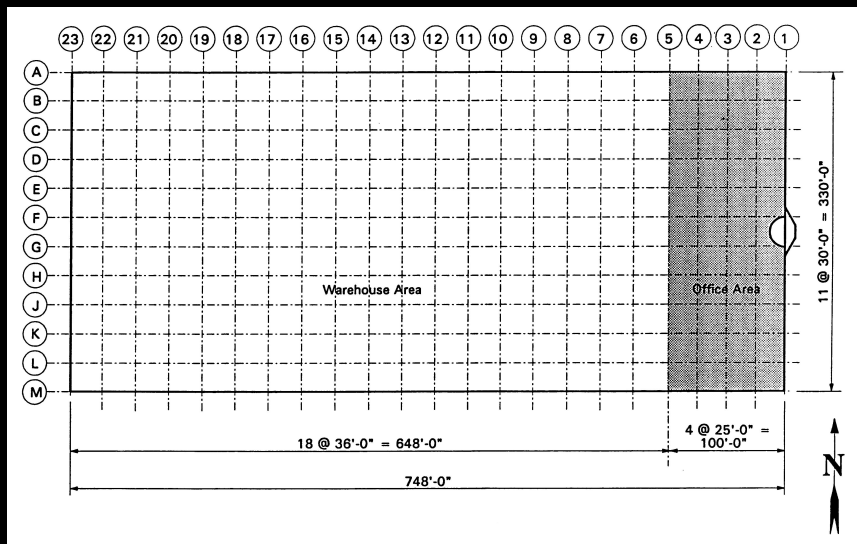


# Lessons:

- Take your construction administration duties seriously.
- Don't jump into a trench and become another casualty.

# Highland Appliance

Claim: \$26M

















# Lessons:

- Pay attention to roof drainage design and construction.
- Respond to a crisis quickly, gather data and be helpful.

# Luxury Condominium Tower

Claim: \$12M







# Lessons:

- Practice only within the areas where you are qualified.
- Don't try to make a big statement just before you retire.

# High School Stadium

Claim: \$13M



Geo-Structures Confluence

St. Charles, Missouri

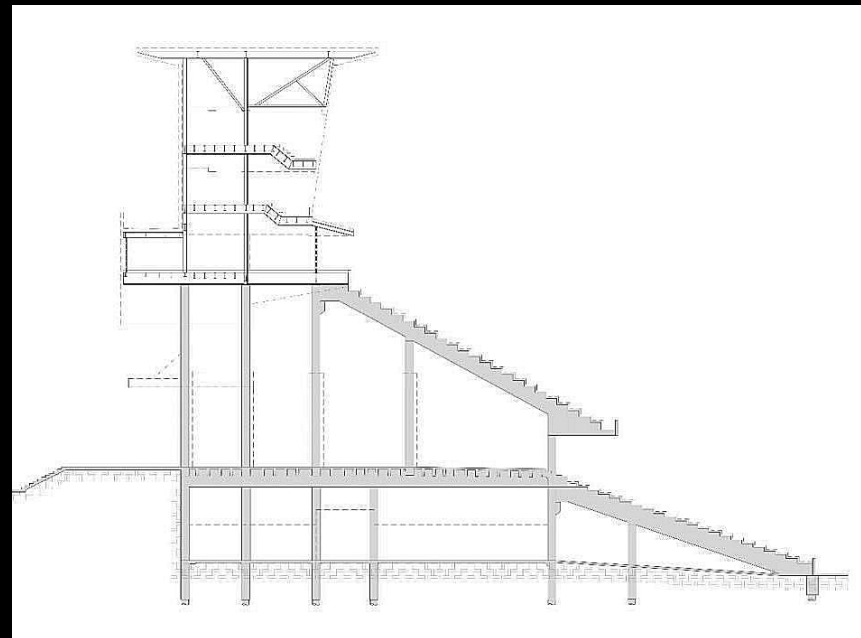
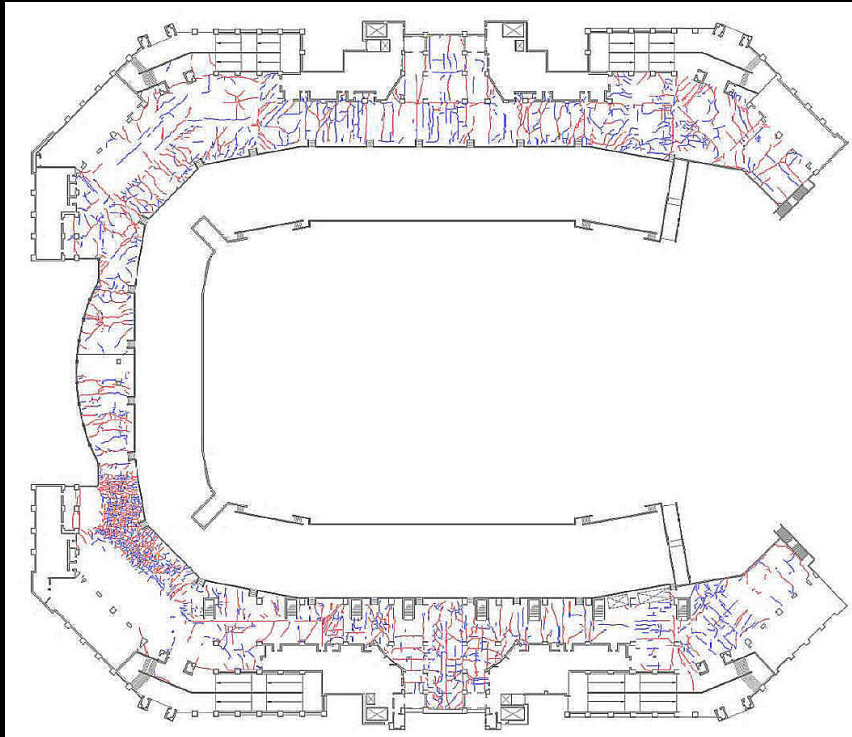
November 2, 2017



StanCaldwellPE.com

STAN R. CALDWELL, P.E., SECB

StanCaldwellPE@gmail.com









# Lessons:

- Carefully check your load paths for gaps ... by hand.
- Don't let architects provide structural engineering services.

# Pet Crematorium

Claim: \$4M



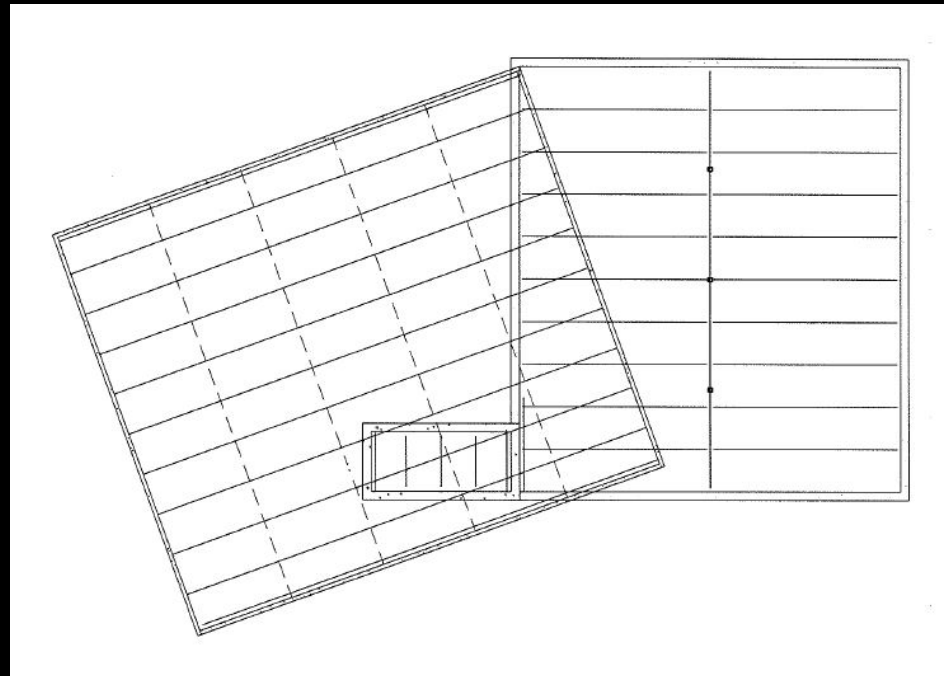














Failure Mode	AISC Code	Required (A)	Provided (B)	Ratio 24" Soil (A/B)	Ratio 36" Soil (*)
Lateral-Torsional Buckling	LRFD	251 FK	190 FK	1.32	1.65
Flange: Local Bending	ASD	51 Psi	33 Psi	1.54	1.96
Web: Local Yielding	LRFD	210 K	76.1 K	2.76	3.45
Web: Local Crippling	ASD	162 K	50.6 K	3.20	4.06
Web: Local Buckling	LRFD	210 K	152 K	1.38	1.73
Compression Buckling	ASD	162 K	101 K	1.60	2.03
	LRFD	210 K	140 K	1.50	1.88
	ASD	162 K	93.1 K	1.74	2.21
	LRFD	210 K	64.7 K	3.25	4.06
	ASD	162 K	43.1 K	3.76	4.78

# Lessons:

- Recognize that project size doesn't matter to lawyers.
- Select your clients like you would select your spouse.



**Thank You !**