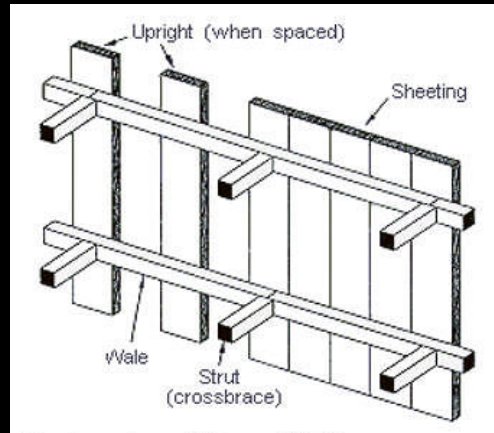


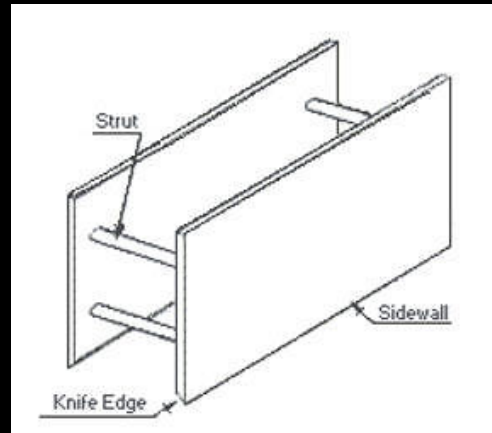
Courthouse Curiosities

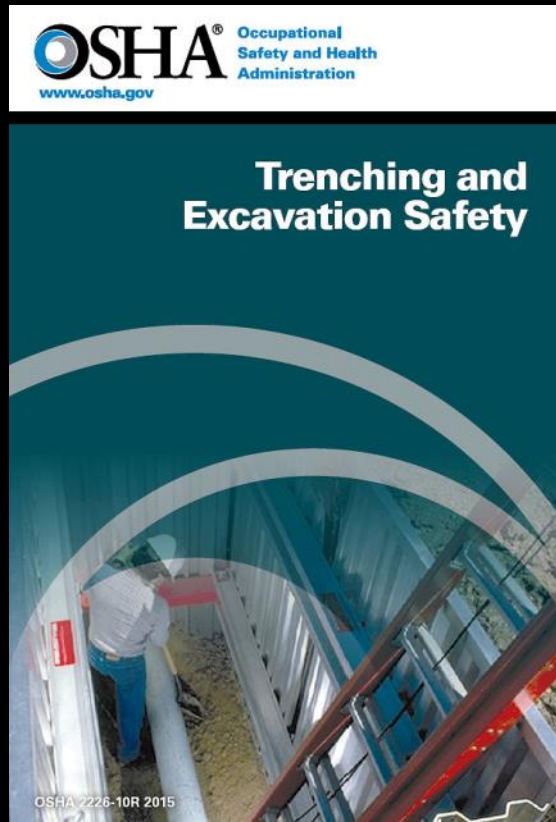
True Tales from Texas

Two Tragic Trench Collapses

Claims: \$33M (each)







Lessons:

- Take your construction administration duties seriously.
- Never jump into a trench.

Highland Appliance

Claim: \$26M



HIGHLAND'S HOLIDAY TREAT!



BIG MAC™ DINNER
Big Mac™ • Handcut French Fries • Regular Drink
REGULAR PRICE \$1.18

Highland Expects To Give Away Over \$100,000 Worth of McDonald's® Big Mac™ Dinners Free With Appliance Purchases This Weekend

GET AS MANY AS 60 BIG MAC™ DINNERS FREE
(60 DINNERS ARE WORTH AT LEAST \$13.63) WITH PURCHASE AT HIGHLAND. DINNERS ARE FREE WITH ANY PURCHASE YOU MAKE! A SALE YOU'LL LOVE SO MUCH YOU CAN TASTE IT!

IN ADDITION TO OUR EVERYDAY LOW PRICES YOU GET ALL THESE DINNERS FREE:

- 10 TO 20 DINNERS WORTH \$12.27 TO \$24.54 WITH STEREO COMPONENTS
- 10 TO 20 DINNERS WORTH \$12.27 TO \$24.54 WITH COLOR TV SETS
- 20 TO 40 DINNERS WORTH \$24.54 TO \$49.08 WITH LASER DISC PLAYERS
- 10 TO 20 DINNERS WORTH \$12.27 TO \$24.54 WITH WINDUP TOYS
- 20 TO 40 DINNERS WORTH \$24.54 TO \$49.08 WITH MICROWAVE Ovens
- 10 TO 20 DINNERS WORTH \$12.27 TO \$24.54 WITH FREEZERS
- 1 TO 20 DINNERS WORTH \$1.18 TO \$23.45 WITH AUDIO MUSIC SYSTEMS
- 10 TO 20 DINNERS WORTH \$24.54 TO \$49.08 WITH WASHERS OR DRYERS
- 10 TO 20 DINNERS WORTH \$12.27 TO \$24.54 WITH AIR CONDITIONERS
- 1 TO 10 DINNERS WORTH \$1.18 TO \$12.27 WITH BLACK WOOD TV

PLUS FREE DINNERS ON EVERY OTHER ITEM WE CARRY!

SALE
10 A.M. to 9 P.M.
Fri. & Sat.
CLOSED SUN. MAY 28

OPEN MONDAY
MEMORIAL DAY
10 A.M. to 5 P.M.



PIONEER
SOUND PROJECT 300 RECEIVER

AM/FM, FM Stereo With variable tuning, wood cabinet and metal face plate. Full controls including balance and tone plus signal strength and tuning meter. Pioneer quality at savings!

SAVE! WAS \$199.95 **\$148** AND GET 10 FREE BIG MAC DINNERS WORTH \$12.27

PLUS! DINNERS INCLUDED WITH SPEAKERS, TURNTABLES, TAPE DECKS, AND ALL OTHER COMPONENTS.



FREE DELIVERY ■ FREE SERVICE ■ EASY TERMS ■ INSTANT CREDIT

PLUS

USE CHARGE CARD OR INSTANT CREDIT. You can get credit instantly by using almost any major credit card. Inspiration does everything, as a reference to opening a Highland treat.



INSTANT CREDIT EASY TERMS

3550 WASHTENAW
ACROSS FROM ARBORLAND

2500 S. ASH ST. (PHEASANT AVENUE)
PHOENIX, AZ 85041

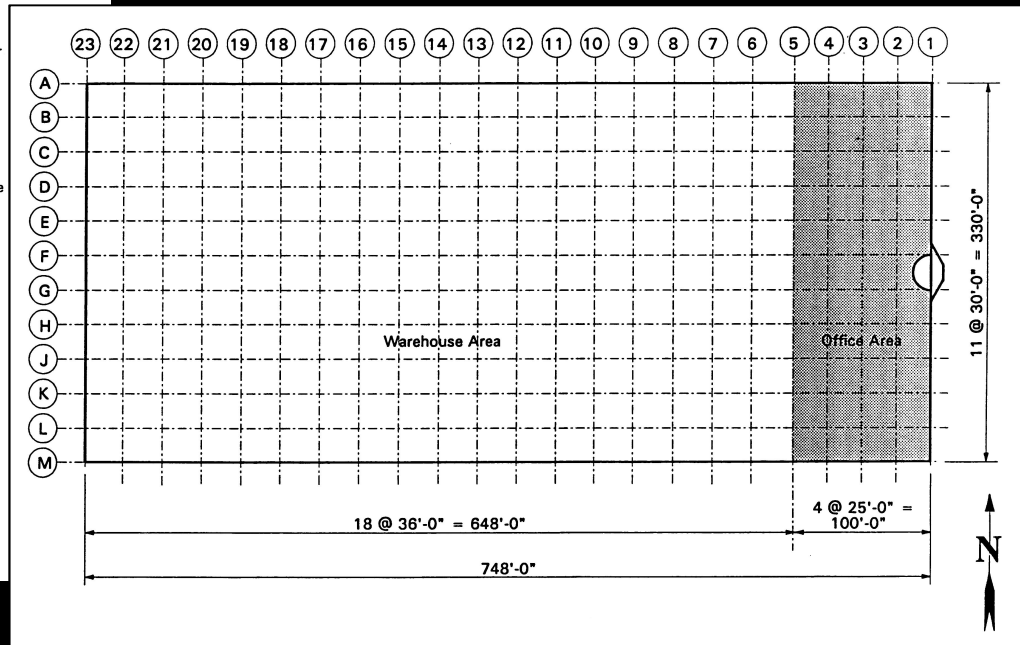
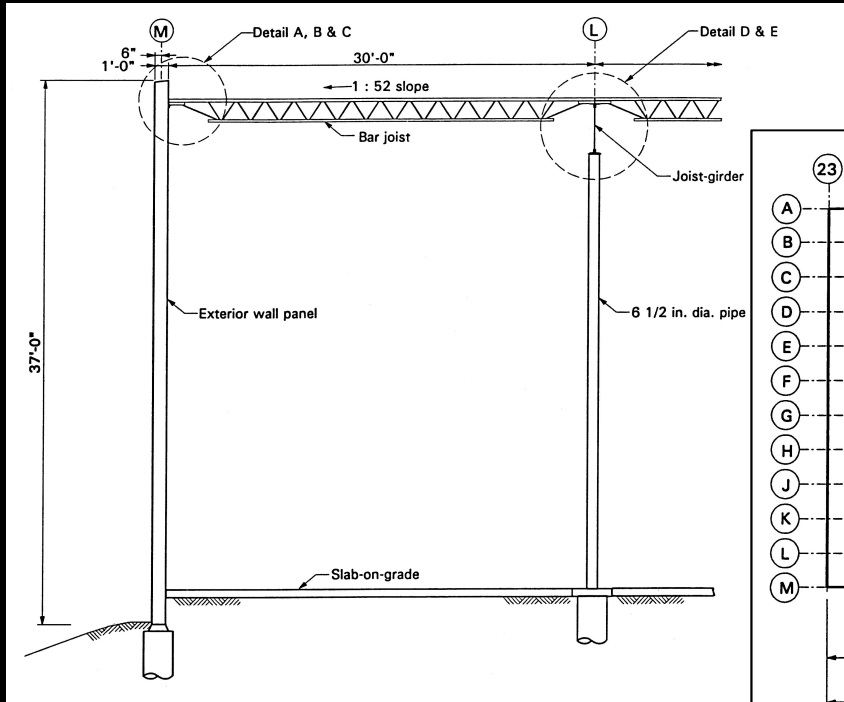
OPEN DAILY 10 TO 9 • SUNDAY 11 TO 6

StanCaldwellPE.com

STAN R. CALDWELL, P.E., SECB

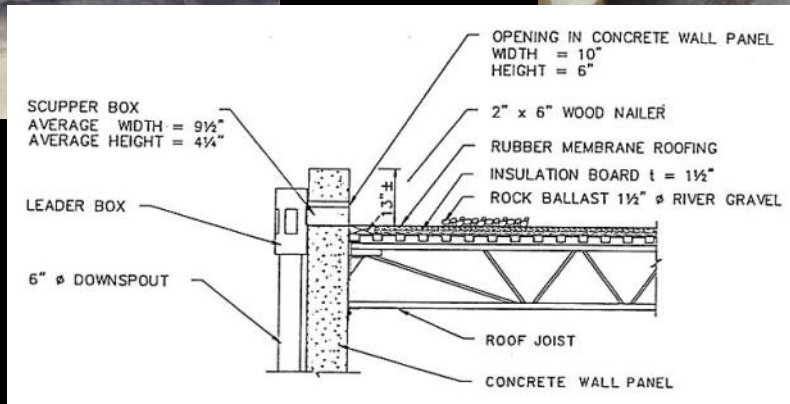
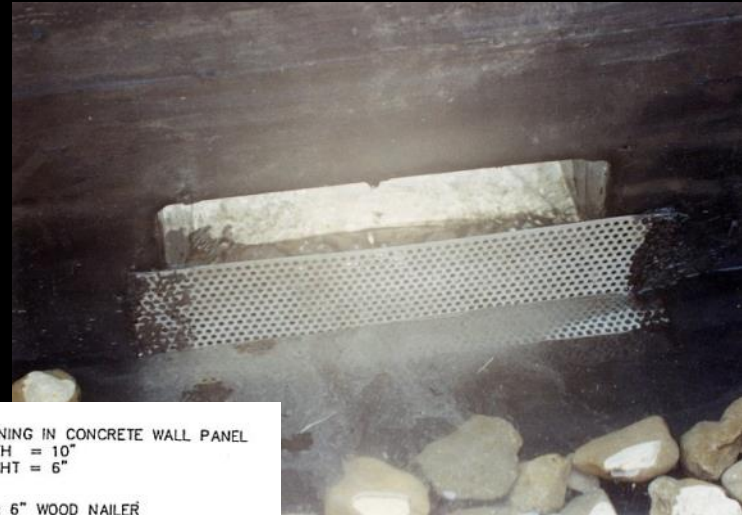
StanCaldwellPE@gmail.com

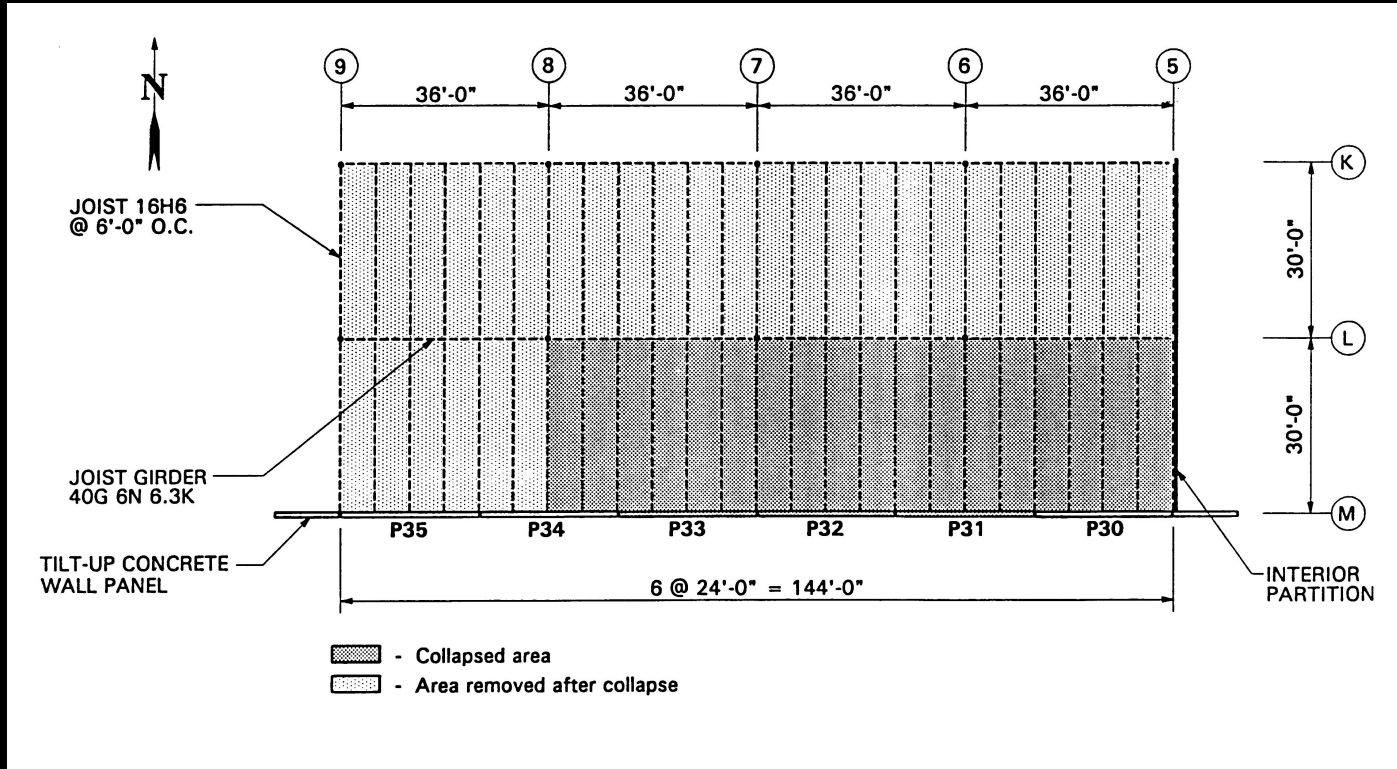












SEA0A Convention & Conference

Scottsdale, Arizona

June 14, 2019



StanCaldwellPE.com

STAN R. CALDWELL, P.E., SECB

StanCaldwellPE@gmail.com

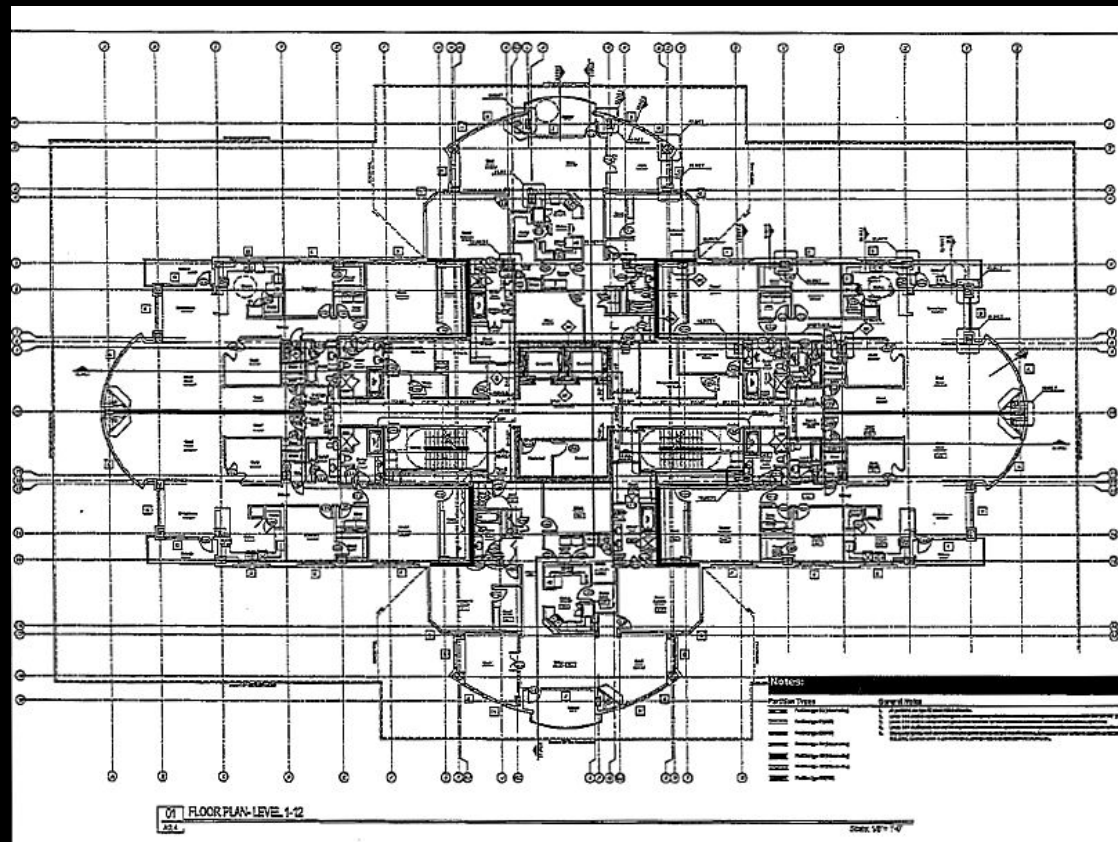
Lessons:

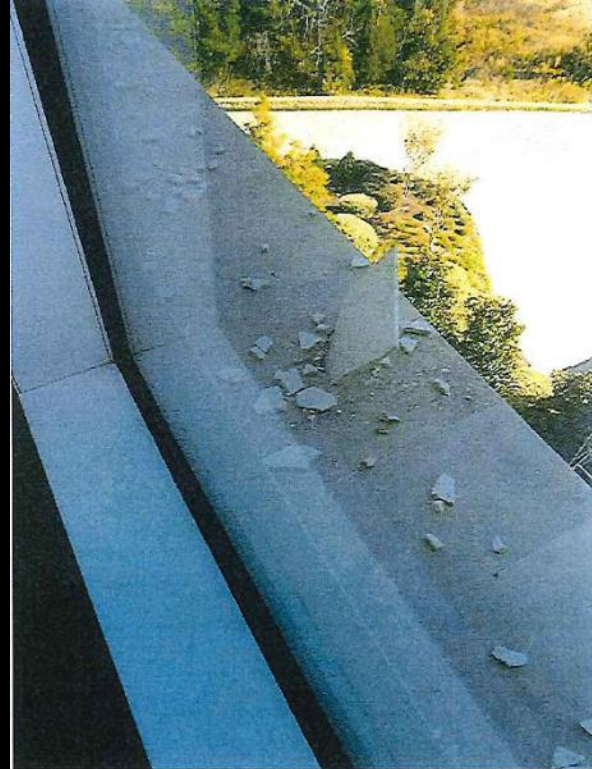
- Pay attention to roof drainage design and construction.
- Respond to a crisis quickly, gather data and be helpful.

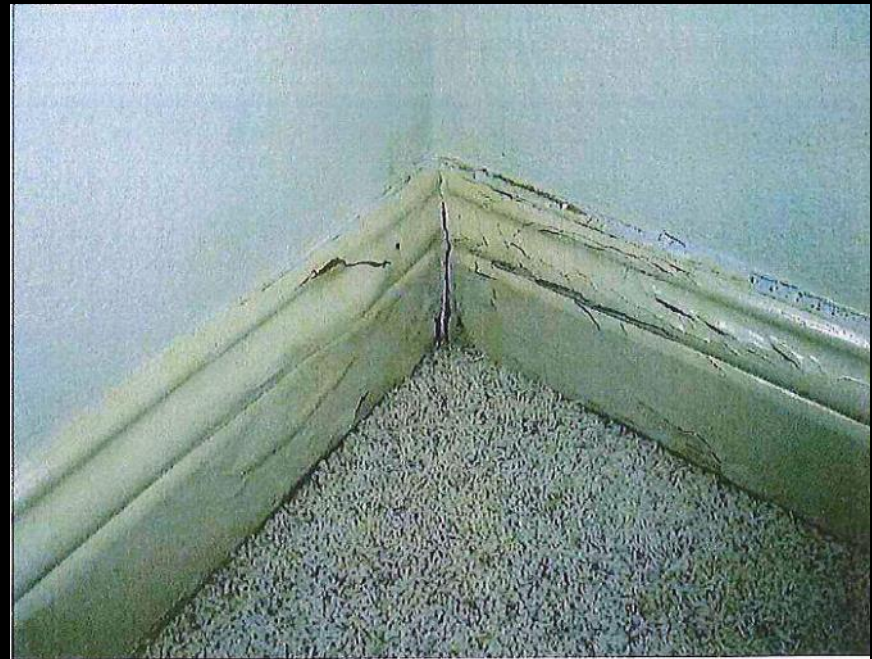
Luxury Condominium Tower

Claim: \$12M











Lessons:

- Practice only within the areas where you are qualified.
- Avoid making a big statement just before you retire.

High School Stadium

Claim: \$13M

SEA0A Convention & Conference

Scottsdale, Arizona

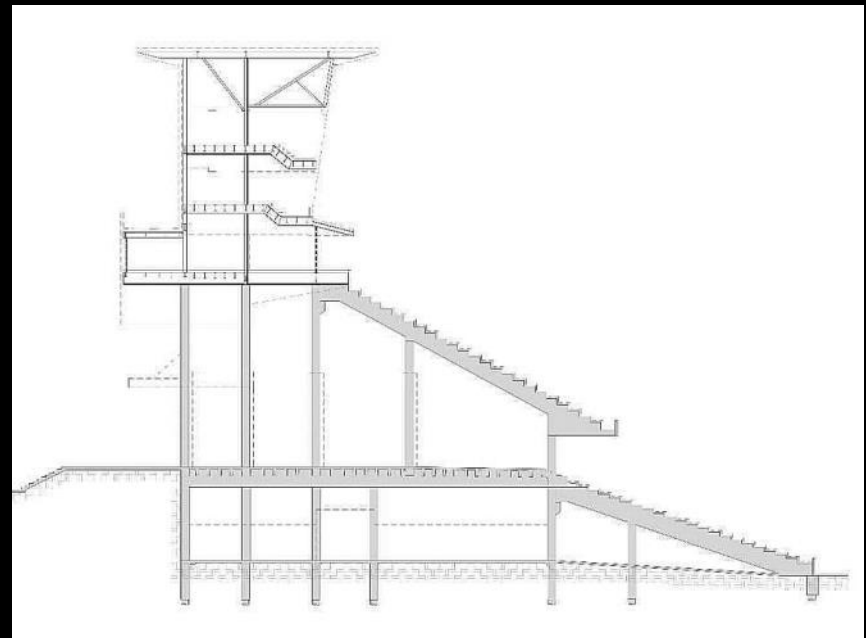
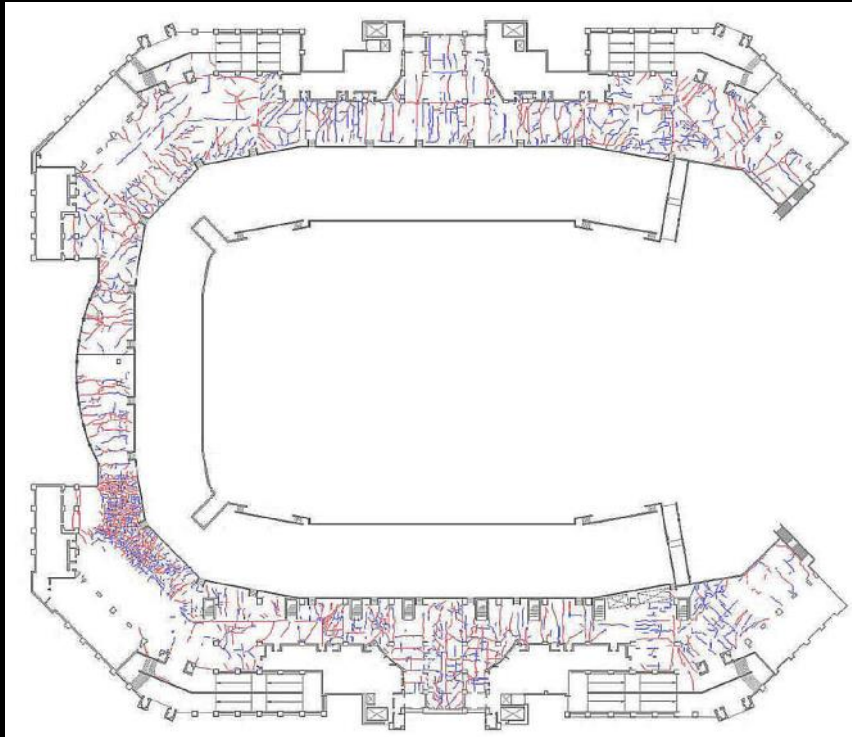
June 14, 2019

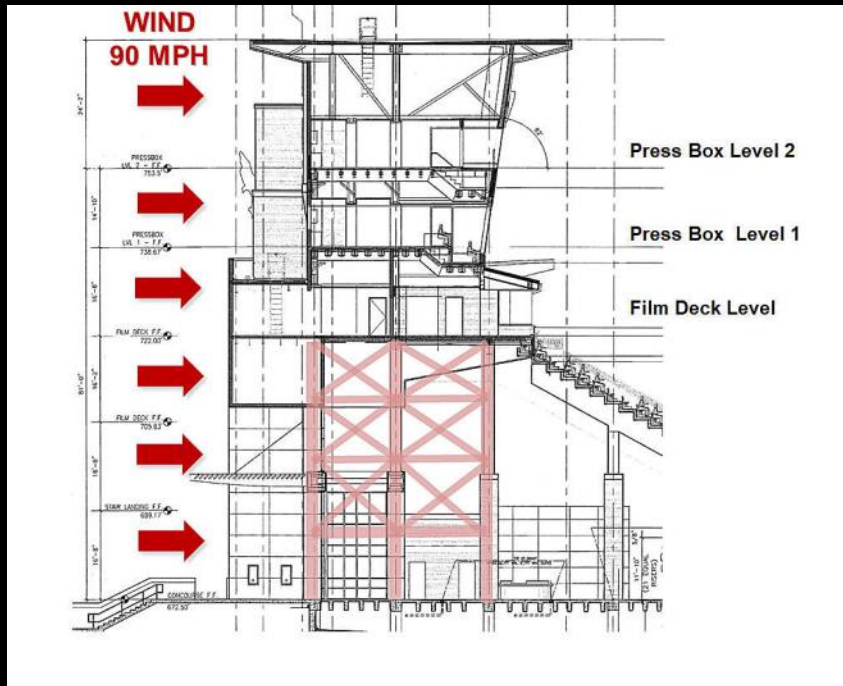


StanCaldwellPE.com

STAN R. CALDWELL, P.E., SECB

StanCaldwellPE@gmail.com







Lessons:

- Carefully check your load paths for gaps ... by hand.
- Don't allow architecture firms to provide SE services.

Pet Crematorium

Claim: \$4M

SEA0A Convention & Conference

Scottsdale, Arizona

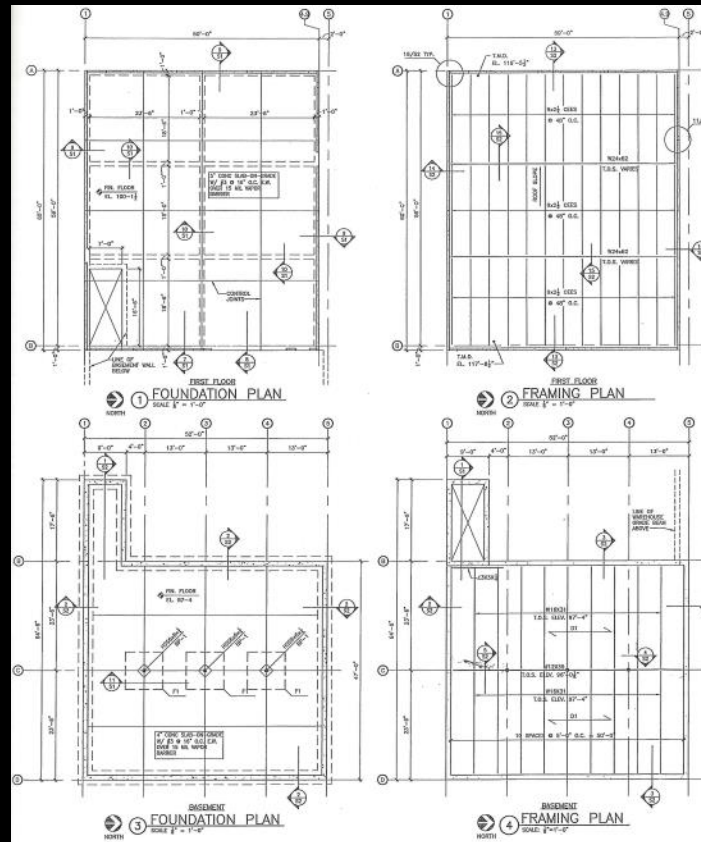
June 14, 2019



StanCaldwellPE.com

STAN R. CALDWELL, P.E., SECB

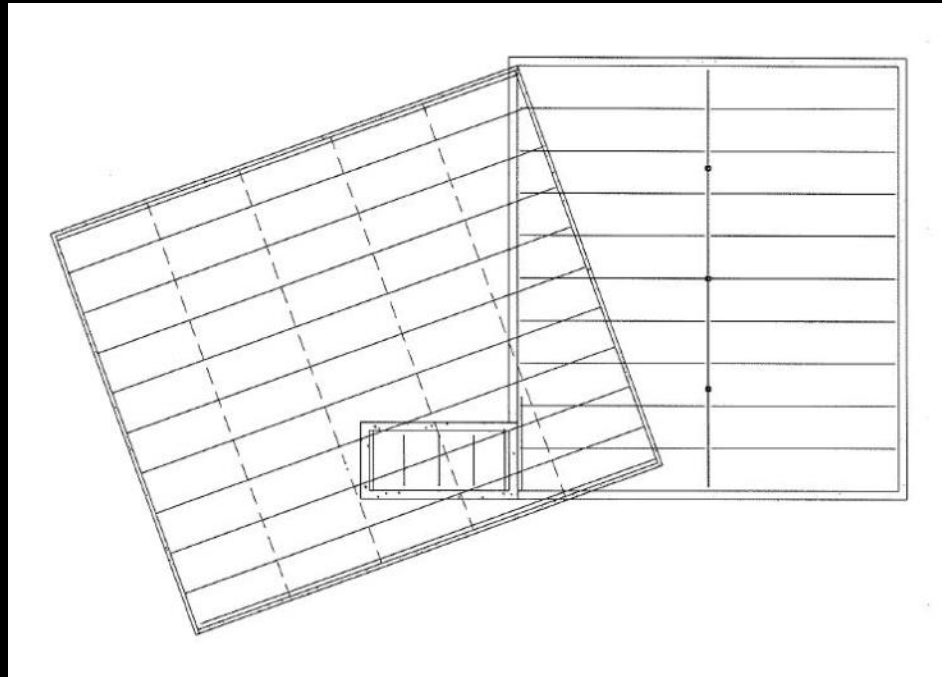
StanCaldwellPE@gmail.com













Failure Mode	AISC Code	Required (A)	Provided (B)	Ratio 24" Soil (A/B)	Ratio 36" Soil (*)
Lateral-Torsional Buckling	LRFD	251 FK	190 FK	1.32	1.65
Flange: Local Bending	ASD	51 Psi	33 Psi	1.54	1.96
Web: Local Yielding	LRFD	210 K	76.1 K	2.76	3.45
Web: Local Crippling	ASD	162 K	50.6 K	3.20	4.06
Web: Local Buckling	LRFD	210 K	152 K	1.38	1.73
Compression Buckling	ASD	162 K	101 K	1.60	2.03
	LRFD	210 K	140 K	1.50	1.88
	ASD	162 K	93.1 K	1.74	2.21
	LRFD	210 K	64.7 K	3.25	4.06
	ASD	162 K	43.1 K	3.76	4.78

Lessons:

- Recognize that project size doesn't matter to lawyers.
- Select your clients like you would select your spouse.

Parking Structure

Claim: \$25M

SEA0A Convention & Conference

Scottsdale, Arizona

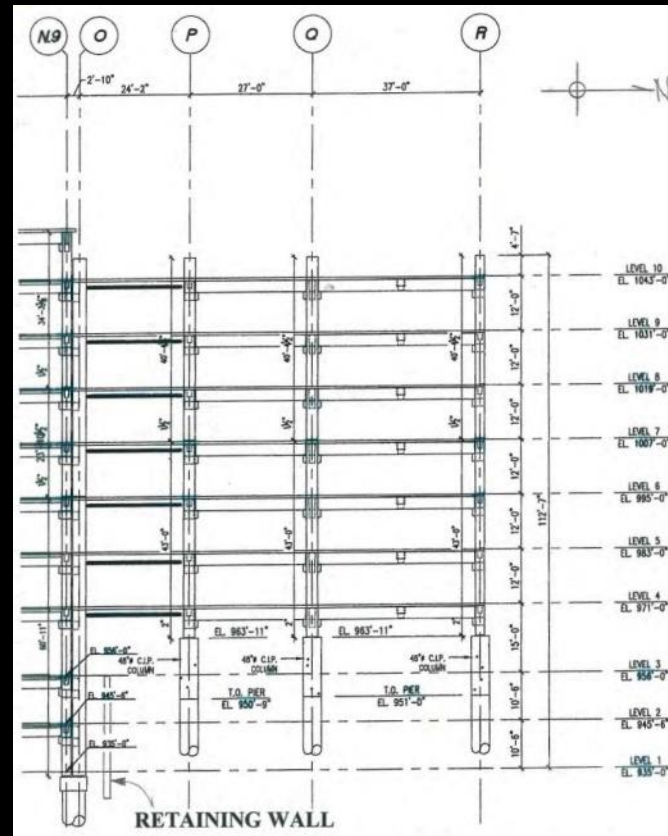
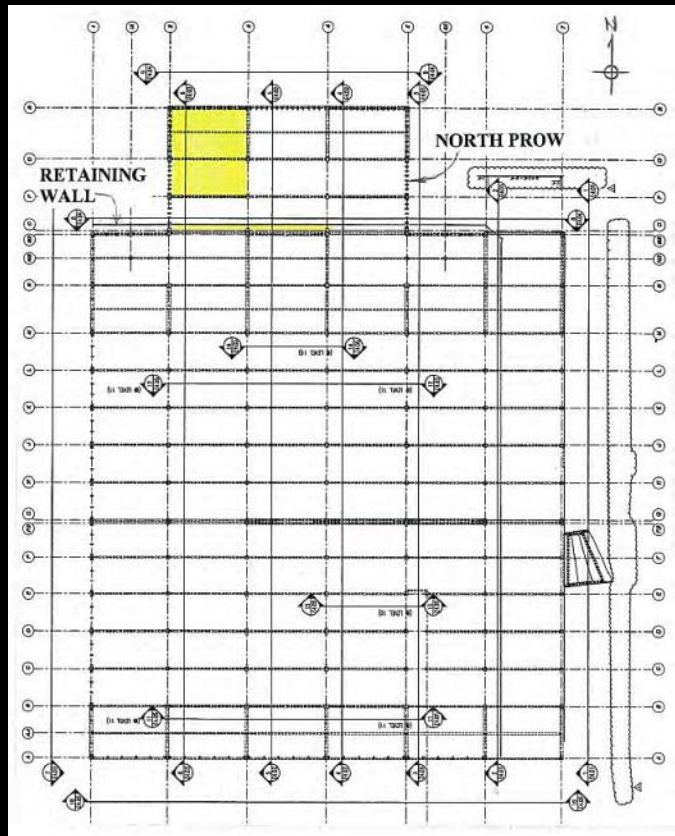
June 14, 2019

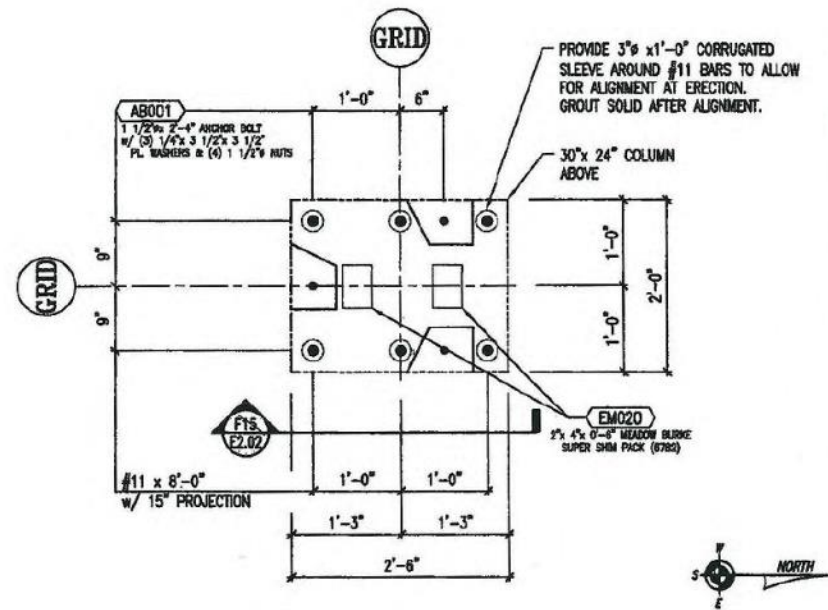
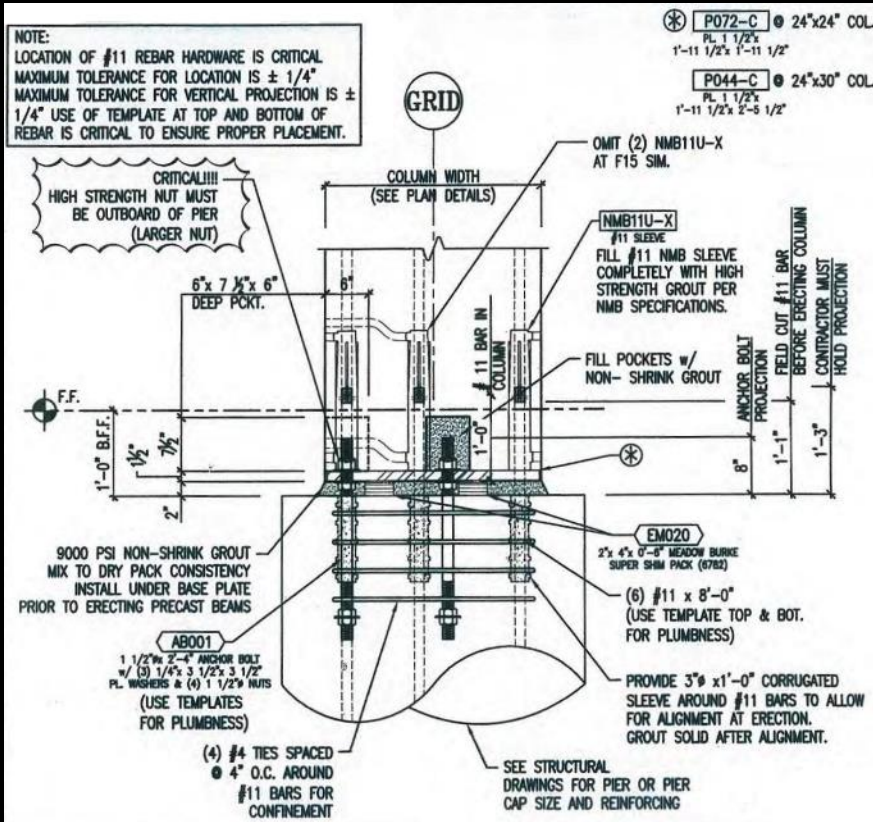


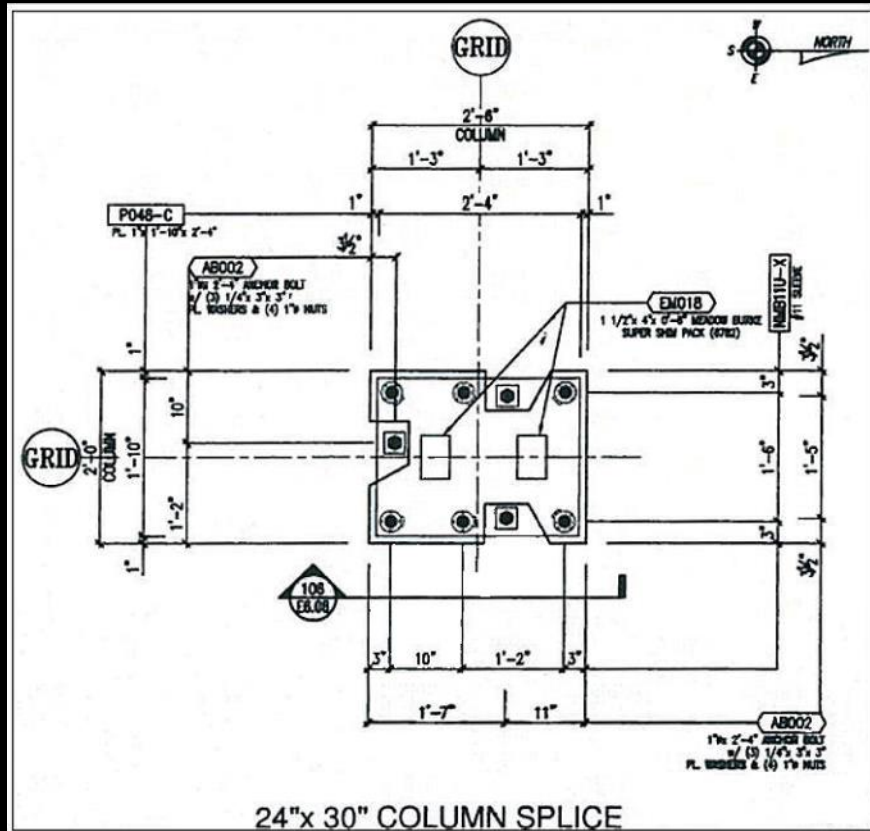
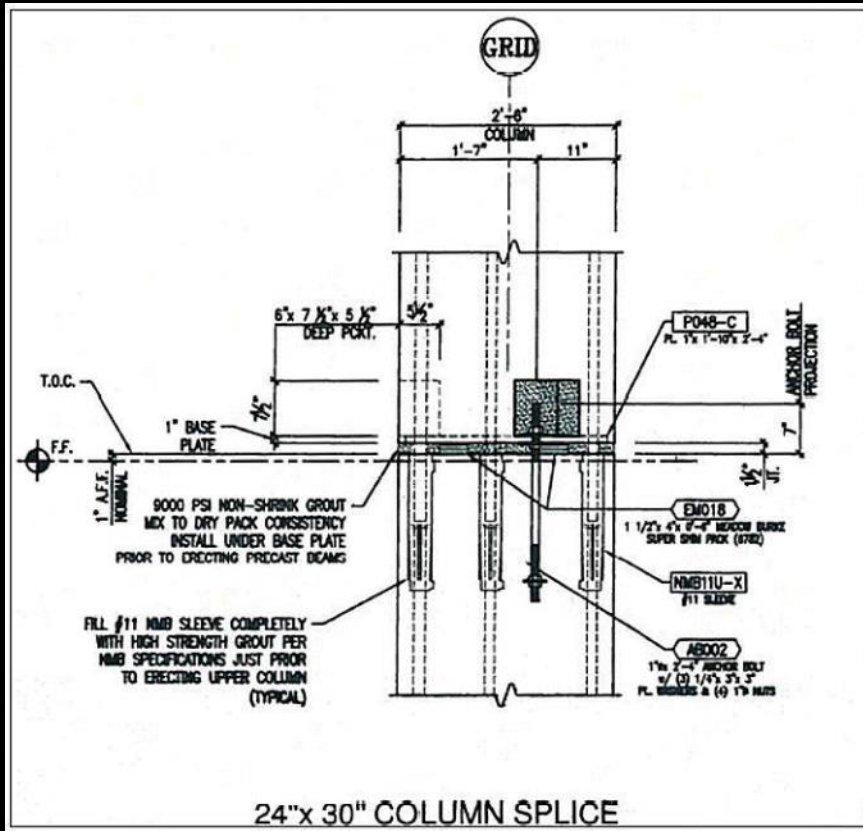
StanCaldwellPE.com

STAN R. CALDWELL, P.E., SECB

StanCaldwellPE@gmail.com











Lessons:

- Recognize that stability is fundamental to safety.
- Take your construction administration duties seriously.

Thank You !